



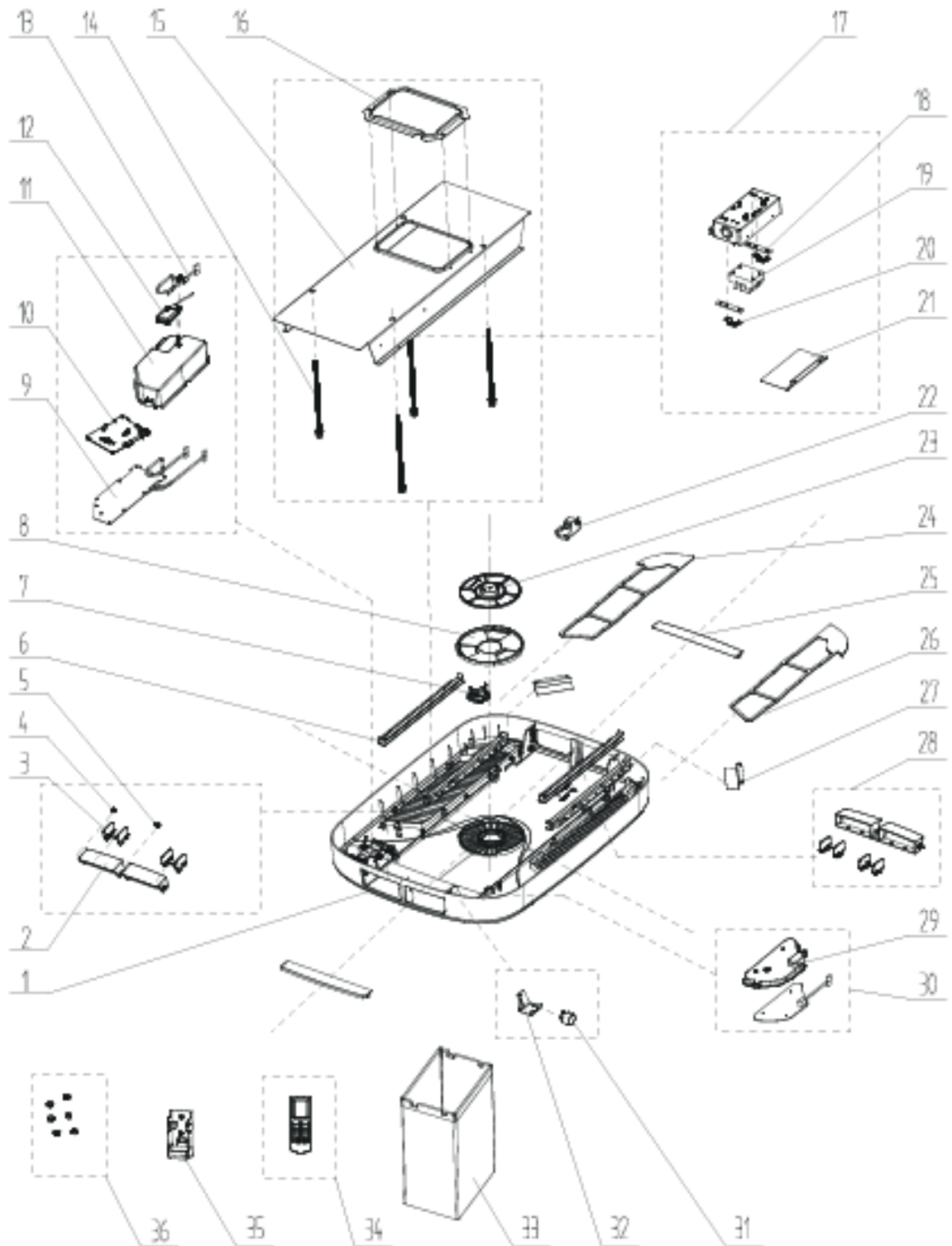
CARAVAN UNITS

SPARE PARTS LIST

August 2023

GRH085DA-K3NA1I

Exploded View



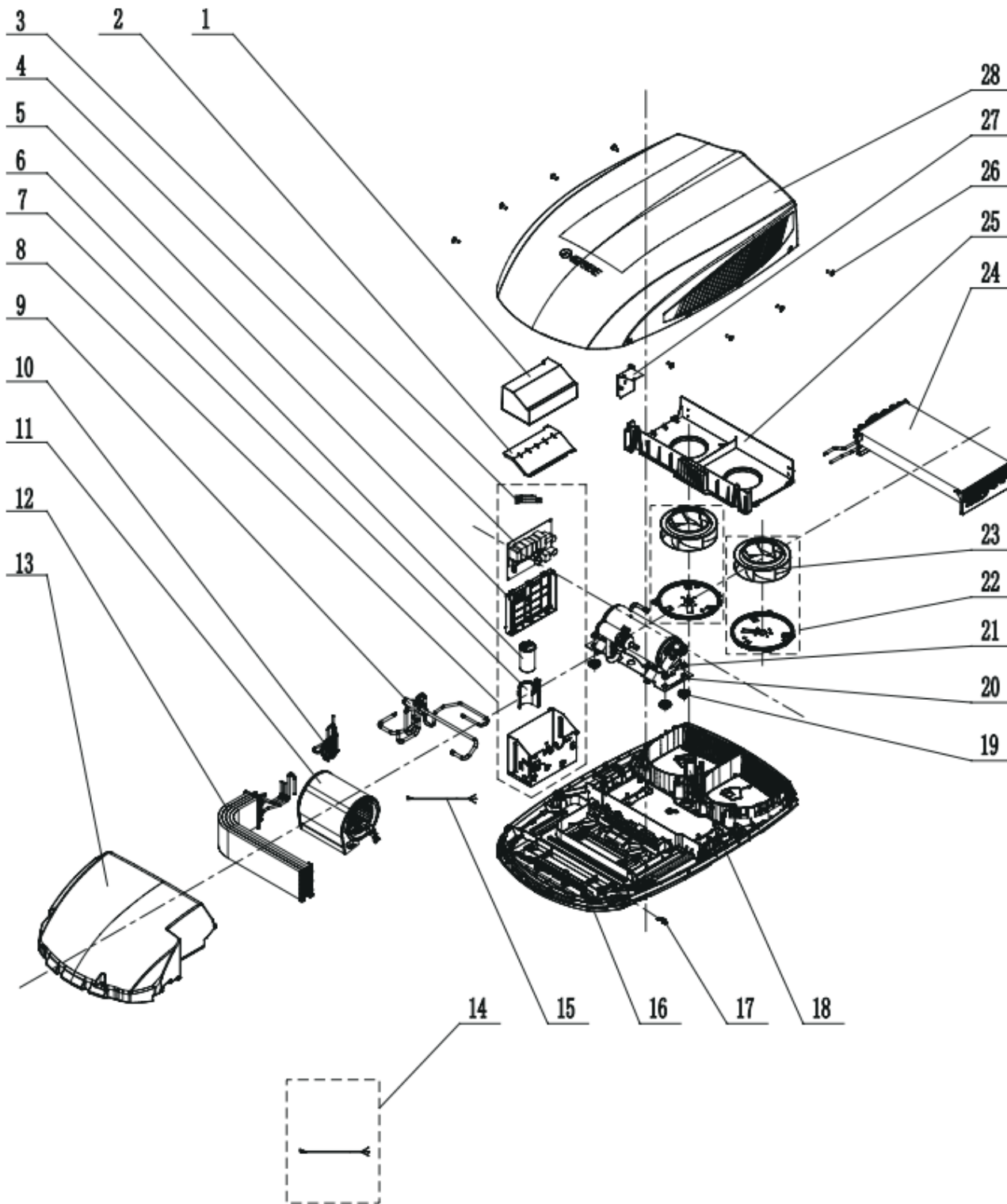
GRH085DA-K3NA1A/I

Spare Parts List

| No. | Part Description | Part Code |
|-----|-----------------------------|--------------|
| 1 | Front Panel Assy | 000003000047 |
| 2 | Guide Blade | 10512269 |
| 3 | Air Louver | 10512270 |
| 4 | Axile Bush | 10542704 |
| 5 | Axile Bush | 10542037 |
| 6 | Filter Guide | 24242020 |
| 7 | Swivel Switch | 45052001 |
| 8 | Air Intake Cover Sub Assy 1 | 22242206 |
| 9 | Display Board | 30562094 |
| 10 | Cover Plate | 200050000003 |
| 11 | Display Box Sub-Assy | 20302633 |
| 12 | Detecting Plate | 30110154 |
| 13 | Temperature Sensor | 390001997 |
| 14 | Bolt | 7021201701 |
| 15 | Mounting Plate Assy | 01332030 |
| 16 | Press Plate of Air Vent | 01383008 |
| 17 | Electric Box Assy | 20402472 |
| 18 | Insulation Gasket | 70410503 |
| 19 | Terminal Board | 42018094 |
| 20 | Wire Clamp | 71010103 |
| 21 | Electric Box Cover | 1252034 |
| 22 | Louver Motor Assy | 15002018 |
| 23 | Air Intake Cover Sub Assy 2 | 22242207 |
| 24 | Filter Sub Assy (Right) | 11122149 |
| 25 | Baffle Plate Sub Assy | 01362019 |
| 26 | Filter Sub Assy (Left) | 11122148 |
| 27 | Baffle Plate 2 | 01362020 |
| 28 | Guide Louver | 10512489 |
| 29 | Display Cover Plate (LED) | 200128000006 |
| 30 | Display Board | 30562095 |
| 31 | Stepping Motor | 1521210702 |
| 32 | Motor Mounting Rack | 01332027 |
| 33 | Sponge (Air Flue) | 12123237 |
| 34 | Remote Controller | 305001000034 |
| 35 | Remote Control Holder | 20120041 |
| 36 | Screw Cover | 760042000002 |

GRH085DA-K3NA1A/O

Exploded View



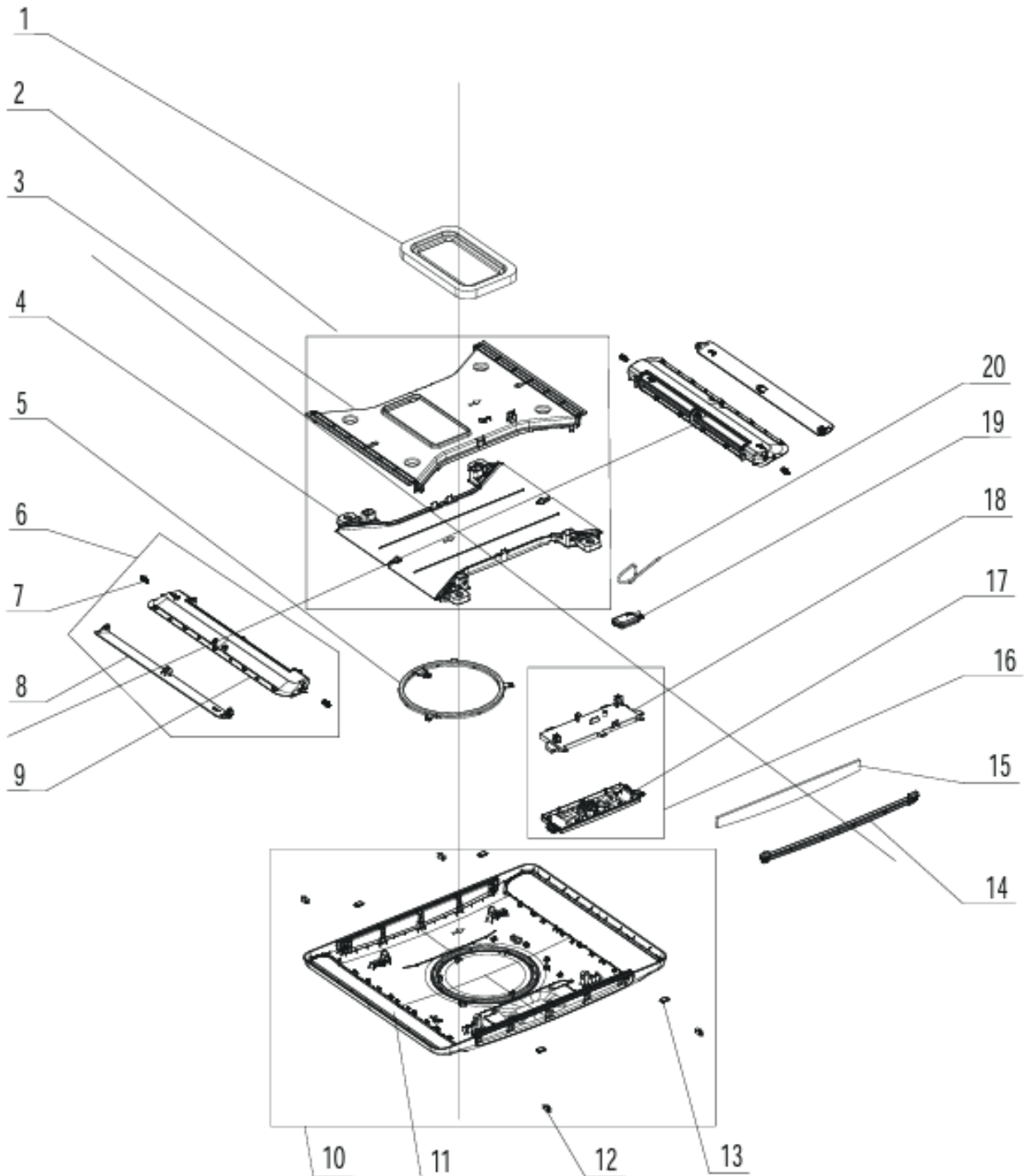
GRH085DA-K3NA1A/O

Spare Parts List

| No. | Part Description | Part Code |
|-----|-----------------------------|---------------|
| 1 | Plastic Box (Electric Box) | 500026000001 |
| 2 | Electric Box Cover | 012020000023 |
| 3 | Temperature Sensor | 3900040301 |
| 4 | Main Board | 30132227 |
| 5 | Supporter | 200114000006 |
| 6 | Capacitor Box | 20116069 |
| 7 | Capacitor CBB65 | 3300008102 |
| 8 | Electric Box Assy | 100002060723 |
| 9 | 4-Way Valve Assy | 030152000101 |
| 10 | Capillary Sub Assy | 030006000142 |
| 11 | Centrifugal Blower Sub Assy | 150108000005 |
| 12 | Evaporator Assy | 011001000075 |
| 13 | Foam Sub Assy | 120011000003 |
| 14 | Power Cord | 4002028908 |
| 15 | Connecting Cable | 4002050422 |
| 16 | Chassis Assy | 209058000010 |
| 17 | Wire Clamp | 71010103 |
| 18 | Rubber Block | 760005000003 |
| 19 | Compressor Gasket | 009012000005 |
| 20 | Compressor and Fittings | 00106113 |
| 21 | Nut with Washer | 70310014 |
| 22 | Centrifugal Fan Assy | 000052000021 |
| 23 | Centrifugal Blower Sub Assy | 150109000002 |
| 24 | Condenser Assy | 011002000132 |
| 25 | Rear Clapboard | 200030000001 |
| 26 | Fastener | 200108000003 |
| 27 | Breakwater Sub Assy | 017061000002 |
| 28 | Cabinet | 200173000001S |

GRH120DA-K3NA2B/I

Exploded View



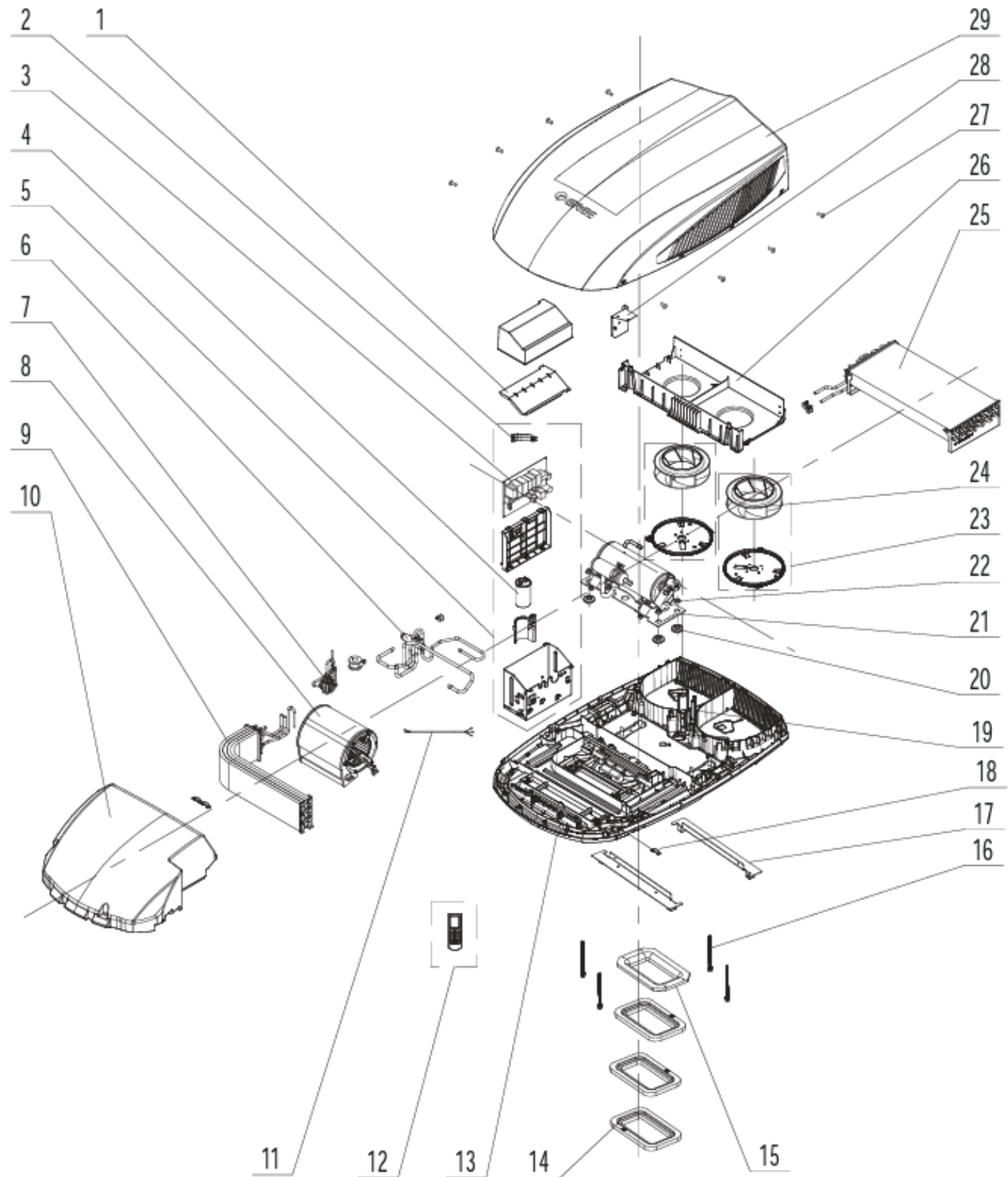
GRH120DA-K3NA2B/I

Spare Parts List

| No. | Part Description | Part Code |
|-----|---------------------------|----------------|
| 1 | Foam | 120000060016 |
| 2 | Air Duct Sub Assy | 017107060006 |
| 3 | Air Outlet Mid Panel | 200120060001 |
| 4 | Base Plate | 200008060001 |
| 5 | Display Module | 340148060004 |
| 6 | Air Outlet Frame Sub Assy | 00011706000301 |
| 7 | Shaft of Guide Louver | 10546015 |
| 8 | Guide Louver | 20000406001301 |
| 9 | Air Outlet Frame | 20009506000201 |
| 10 | Front Panel Sub Assy | 209004060013 |
| 11 | Front Panel | 200003060015T |
| 12 | Latch | 70811002 |
| 13 | Magnet Sub Assy | 70844010 |
| 14 | Front Grill | 200226060009 |
| 15 | Healthy Filter | 111008060002 |
| 16 | Display Board | 300001060004 |
| 17 | Display Box | 200028060003 |
| 18 | Display Box Cover | 200097060003 |
| 19 | Detecting Plate | 30110144 |
| 20 | Temperature Sensor | 390001997 |

GRH120DA-K3NA2B/O

Exploded View



GRH120DA-K3NA2B/O

Spare Parts List

| No. | Part Description | Part Code |
|-----|-----------------------------|---------------|
| 1 | Electric Box Cover | 012020000023 |
| 2 | Temperature Sensor | 3900040301 |
| 3 | Main Board | 300027000640 |
| 4 | Capacitor CBB65 | 3300008102 |
| 5 | Electric Box Assy | 100002060723 |
| 6 | 4-Way Valve Assy | 030152000101 |
| 7 | Capillary Sub Assy | 030006000142 |
| 8 | Centrifugal Blower Sub Assy | 150108000005 |
| 9 | Evaporator Assy | 011001000075 |
| 10 | Foam Sub Assy | 120011000003 |
| 11 | Connecting Cable | 4002050423 |
| 12 | Remote Controller | 305001000034 |
| 13 | Chassis Assy | 209058000010 |
| 14 | Foam | 120000060015 |
| 15 | Foam | 120000060014 |
| 16 | Bolt | 7021201701 |
| 17 | Mounting Plate Sub Assy | 017018060022P |
| 18 | Wire Clamp | 71010103 |
| 19 | Rubber Block | 760005000003 |
| 20 | Compressor Gasket | 009012000005 |
| 21 | Compressor and Fittings | 00106113 |
| 22 | Nut with Washer | 70310014 |
| 23 | Centrifugal Fan Assy | 000052000021 |
| 24 | Centrifugal Blower Sub Assy | 150109000002 |
| 25 | Condenser Assy | 011002000132 |
| 26 | Rear Clapboard | 200030000001 |
| 27 | Fastener | 200108000003 |
| 28 | Breakwater Sub Assy | 017061000002 |
| 29 | Cabinet | 200173000001S |

It is the policy of Gree Australia to introduce continuous product improvements.
Accordingly, specifications are subject to change without notice.
Please consult with your dealer to confirm the specifications of the model selected.

1800 473 346
greeac.com.au

